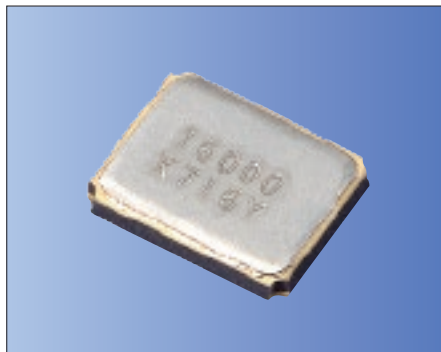


3.2x2.5mm for Consumer Products/ Mobile Communications/ Automotive



RoHS Compliant

Features

- Crystal unit for Consumer Products
- Miniature and low profile (3.2x2.5x0.55mm)
- Ceramic package
- Reflow compatible
- AEC-Q200 qualified
(Please contact us for Automotive use)

Applications

- Digital Electronics
- Consumer Products
- Car Electronics
- Mobile Communications, Bluetooth®, Wireless LAN

* Bluetooth® Trademarks are owned by Bluetooth SIG Inc.

How to Order

CX3225SB 12000 □□ □ □ □ □ □ □
 ① ② ③ ④ ⑤ ⑥ ⑦

- ① Series
- ② Frequency
- ③ Load Capacitance
- ④ Frequency Tolerance
- ⑤ Operating Temp. Range
- ⑥ Frequency Temp. Stability
- ⑦ Individual Specification

| | | | |
|-----------|---------------|----------|----------------------|
| D0 | 8 pF | G | ±15×10 ⁻⁶ |
| EJ | -10 to +70°C | | ±15×10 ⁻⁶ |
| LJ | -30 to +85°C | | ±15×10 ⁻⁶ |
| SS | -40 to +125°C | | ±50×10 ⁻⁶ |

Packaging (Tape & Reel 1000/ 3000 pcs./ reel)

Specifications

| Item | Symbol | Specification | Units | Remarks |
|---------------------------------|------------------|---|-------------------|---|
| Frequency Range | f _{nom} | 12000 to 54000 | kHz | |
| Overtone Order | OT | Fundamental | — | |
| Load Capacitance | CL | 8 | pF | Please contact us for other Load Capacitance. |
| Frequency Tolerance | f _{tol} | ±15 | ×10 ⁻⁶ | 25°C±3°C |
| Motional Series Resistance | R1 | Table 1 | ohm | |
| Drive Level | DL | Table 2 | μW | |
| Operating Temp. Range | T _{use} | -10 to +70 -30 to +85 -40 to +125 | °C | |
| Storage Temp. Range | T _{stg} | -40 to +85 -40 to +125 | °C | |
| Frequency Temp. Characteristics | f _{tem} | ±15 ±50 | ×10 ⁻⁶ | Freq. deviation from the value at 25°C |

Please contact us for other specifications.

Table1 Motional Series Resistance

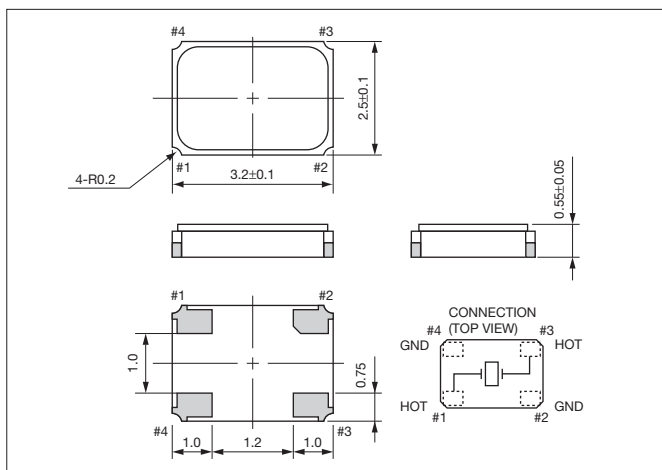
| Frequency Range | Motional Series Resistance |
|--------------------------------------|----------------------------|
| 12000 ≤ f _{nom} < 13000 kHz | 150Ω max. |
| 13000 ≤ f _{nom} < 20000 kHz | 80Ω max. |
| 20000 ≤ f _{nom} ≤ 54000 kHz | 50Ω max. |

Table2 Level of Drive

| Frequency Range | Level of Drive |
|--------------------------------------|-------------------|
| 12000 ≤ f _{nom} ≤ 54000 kHz | 10μW (100μW max.) |

Dimensions

(Unit: mm)



Recommended Land Pattern

(Unit: mm)

